

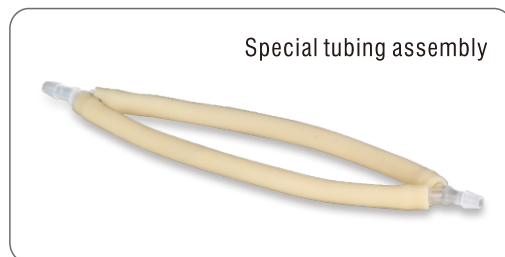
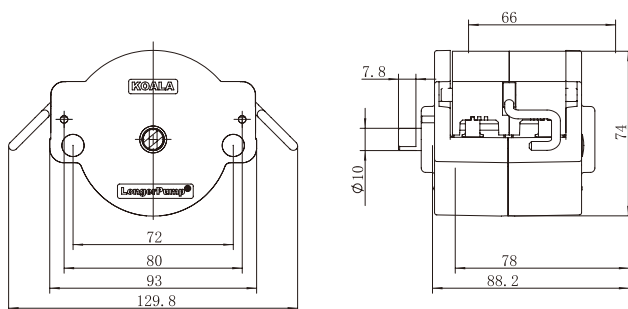
# Small Flow, Low Pulse, Dispensing Pump Head

## DMD15-13-B

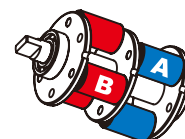
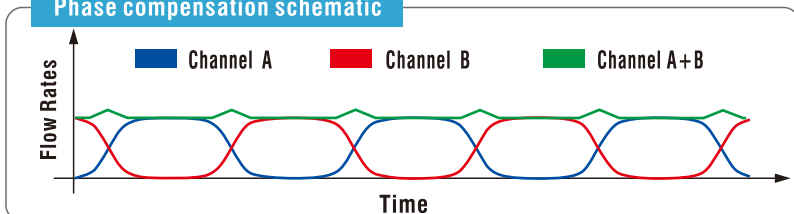
Max. Flow Rate



- Special tubing assembly, low pulse, high accuracy
- Designed for high precision and small volume dispensing
- Compact size, easy to use



### Phase compensation schematic



Model	Product Code	Roller Number	Roller Material	Housing Material	Speed (rpm)	Tubing	Max. Flow Rate (mL/min)	Ref. Dispensing Volume (mL)	Ref. Dispensing Time (s)	Precision	Dispensing Head ID (mm)	Weight (kg)
DMD15-13-B	05.01.04B	3	Stainless steel	PPS	$\leq 600$	2×13"	80	>0.8	>0.6	$\pm 2\%$	$\leq 0.5$	0.43
							>1.6	>1.2	$\pm 1\%$	$\leq 0.5$		
						2×14"	300	>3	>0.6	$\pm 2\%$	$\leq 1.0$	
							>6	>1.2	$\pm 1\%$	$\leq 1.0$		
						2×19"	620	>6.2	>0.6	$\pm 2\%$	$\leq 1.5$	
							>12.4	>1.2	$\pm 1\%$	$\leq 1.5$		
						2×16"	960	>9.6	>0.6	$\pm 2\%$	$\leq 2.0$	
							>19.2	>1.2	$\pm 1\%$	$\leq 2.0$		
						2×25"	2070	>20.7	>0.6	$\pm 2\%$	$\leq 3.0$	
							>41.4	>1.2	$\pm 1\%$	$\leq 3.0$		

DT: 0966.115.189 / 0902.199.166 EMAIL: tinthanhphat.kinhdoanh@gmail.com

TIN THANH PHAT CO., LTD