

# OEM Peristaltic Pump Head

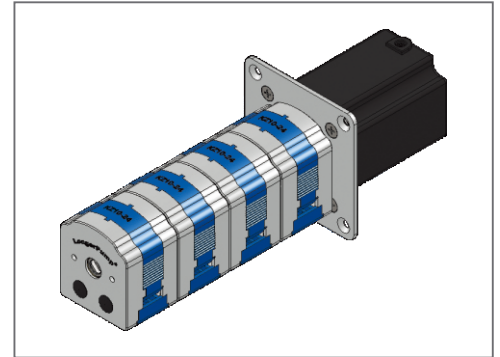
KZ10-24, KZ15-14

Max. Flow Rate

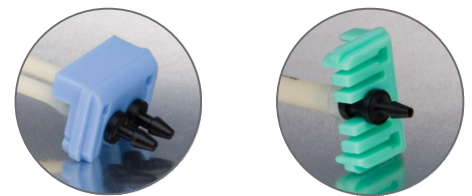
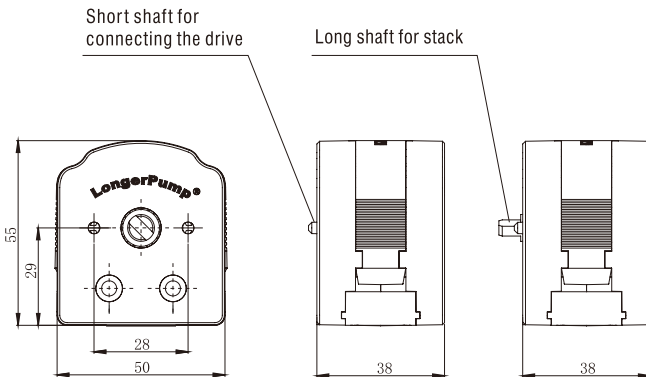


Compact structure, suitable for OEM peristaltic pump.

Two to four heads can be stacked for multi-channels application.



## Installation Drawing



KZ10-24 tubing clamber

Model	Shaft	Product Code	Channel Number	Roller Number	Roller Material	Housing Material	Speed (rpm)	Tubing	Max. Flow Rate (mL/min)	Weight (kg)
KZ10-24-A	Short	05.01.27A	2	4	POM	POM	≤450	ID ≤ 3.17 (mm) Wall thickness 0.86 (mm)	104	0.1
KZ10-24-B	Long	05.01.27B			PVDF	PVDF				
KZ10-24-C	Short	05.01.27C			POM	POM				
KZ10-24-D	Long	05.01.27D			PVDF	PVDF				
KZ15-14-A	Short	05.01.28A	1	4	POM	POM	13" 14" 19" 16"	190	0.1	
KZ15-14-B	Long	05.01.28B			PVDF	PVDF				
KZ15-14-C	Short	05.01.28C			POM	POM				
KZ15-14-D	Long	05.01.28D			PVDF	PVDF				

DT: 0966.115.189 / 0902.199.166 EMAIL: tinthanhphat.kinhdoanh@gmail.com

TIN THANH PHAT CO., LTD